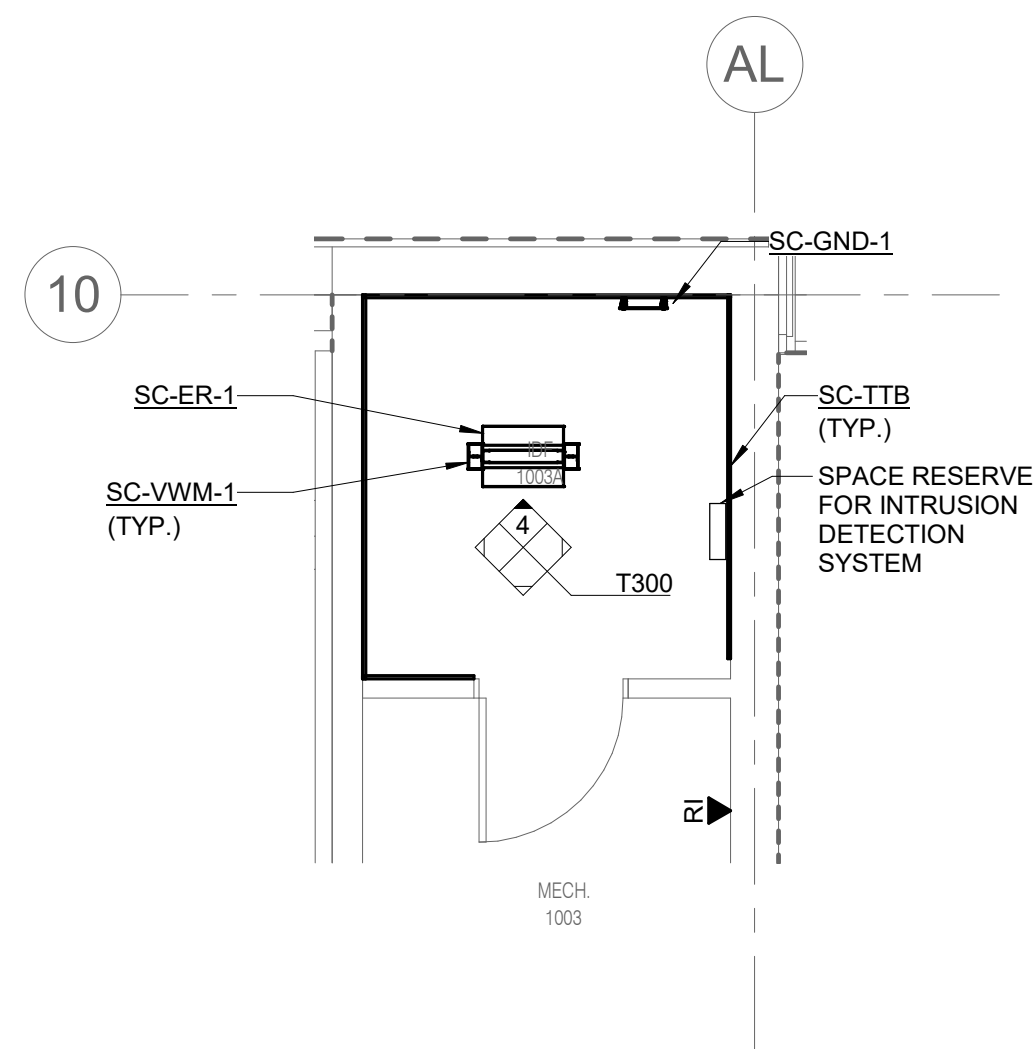


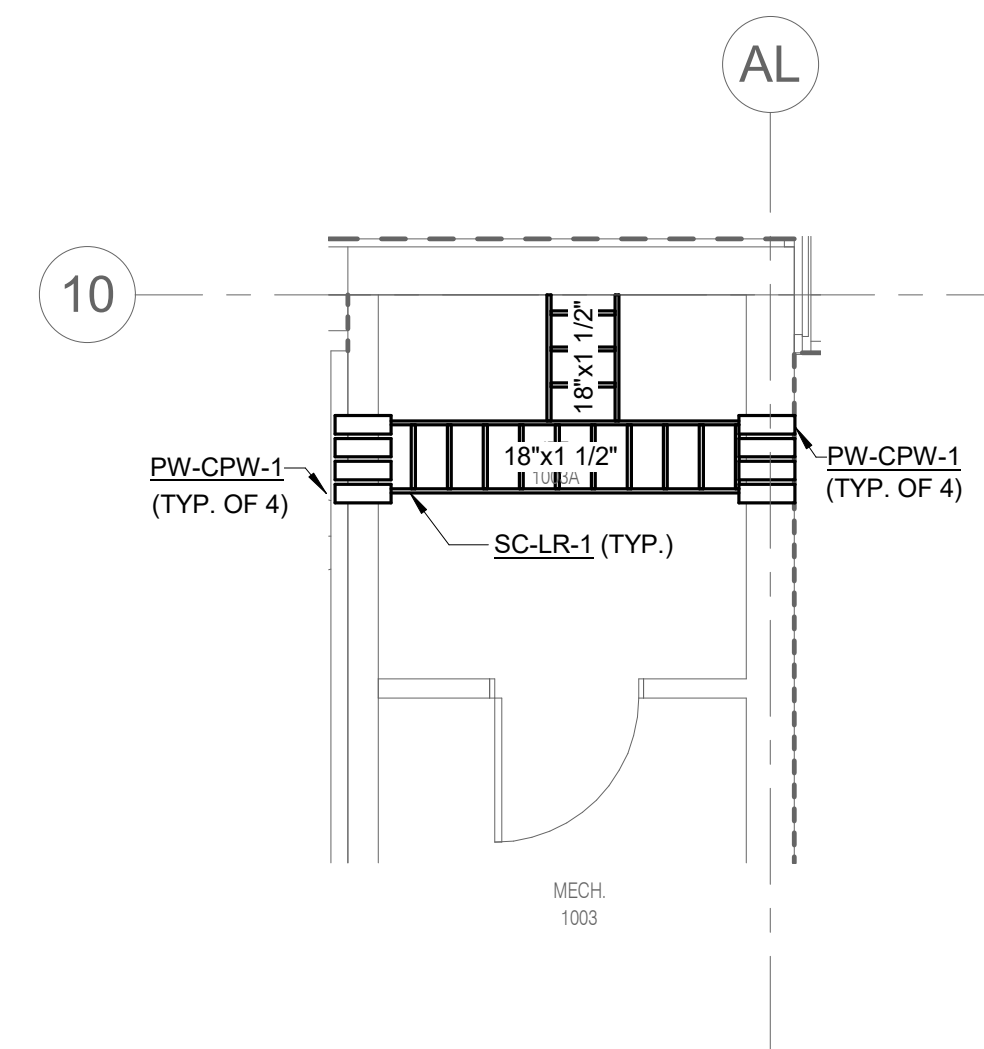
**1 ROOM LAYOUT EXAM ROOM #4**  
1/4" = 1'-0"

NOTES:  
1. PROVIDE AND INSTALL ROUGH-INS FOR OWNER PROVIDED SYSTEMS.  
2. COORDINATE FINAL INSTALLATION OF ROUGH-INS WITH OWNER.



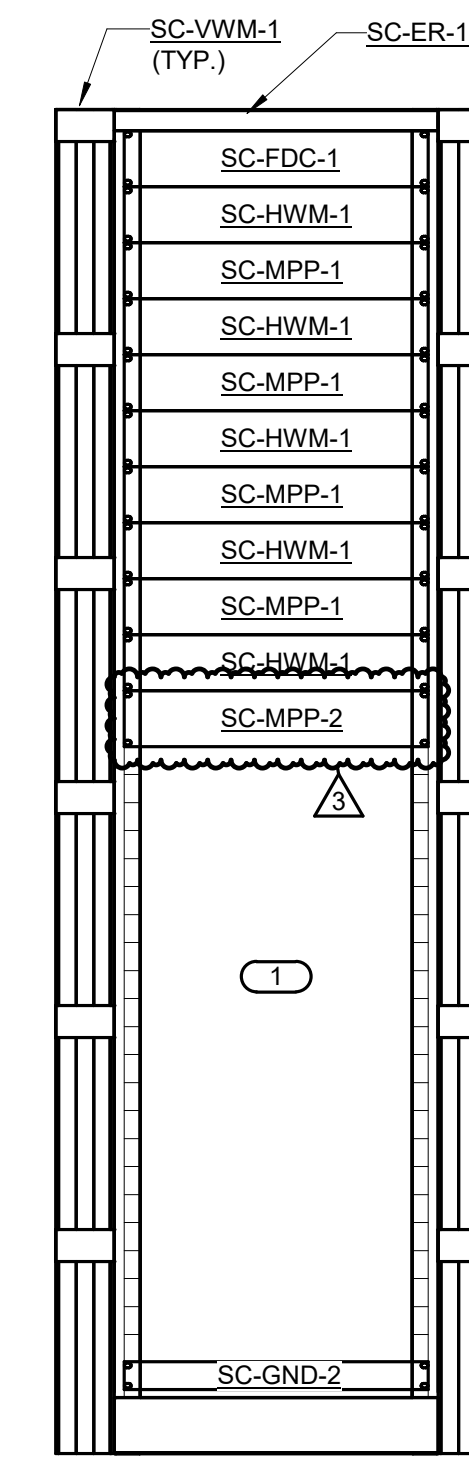
**2 TR-1 TECHNOLOGY ROOM LAYOUT**  
1/4" = 1'-0"

NOTES:  
1. THE FIRE RATED TELEPHONE TERMINAL BOARD (SC-TTB) SHALL COVER ALL THE WALLS IN THE TELECOMMUNICATIONS ROOM AS SHOWN ABOVE. SHOULD THE WALLS REQUIRE TO BE PAINTED, THE PAINT SHALL BE "FIRE SAFE" PAINT. IF PAINTED THE FIRE RATED LABEL ON EACH BOARD SHALL NOT BE PAINTED. REFER TO THE SPECIFICATIONS FOR ADDITIONAL INFORMATION.  
2. REFER TO 3/T300 FOR TR-1 TECHNOLOGY ROOM PATHWAY LAYOUT.  
3. REFER TO 1/T400 FOR THE BONDING BUSBAR DETAIL (SC-GND-1).



**3 TR-1 TECHNOLOGY ROOM PATHWAY LAYOUT**  
1/4" = 1'-0"

NOTES:  
1. MOUNT ALL LADDER RACK 7'-6" ABOVE THE FINISHED FLOOR. REFER TO THE SPECIFICATIONS FOR APPROVED LADDER RACK MANUFACTURERS ADDITIONAL INSTALLATION REQUIREMENTS.  
2. REFER TO THE LADDER RACK MOUNTING DETAIL 3/T400 FOR ADDITIONAL RACK INSTALLATION REQUIREMENTS.  
3. PROVIDE CONDUIT WATERFALL KITS (PANDUIT#CFW400 OR EQUAL) FOR ALL CONDUITS THAT ENTERS THE TELECOM ROOM ABOVE THE LADDER RACK.  
4. PROVIDE A RADIUS CONTROL MODULE FOR ALL FIRE RATED PATHWAYS (PW-CPW-1).

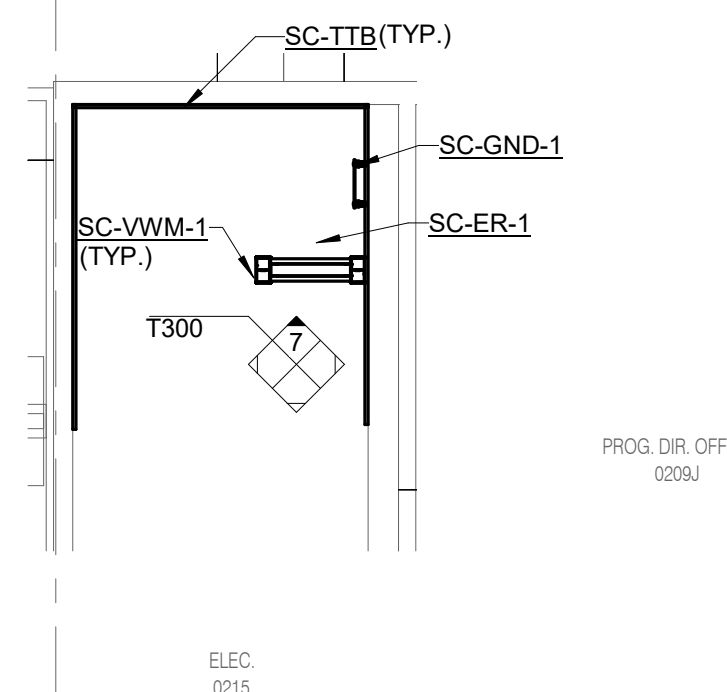


**4 TECHNOLOGY ROOM TR-1 RACK ELEVATION**  
1" = 1'-0"

NOTES:  
1. ALL EQUIPMENT SHALL BE LOCATED IN ITS DESIGNATED SPOT AS DEFINED BY THIS LAYOUT UNLESS OTHERWISE NOTED. ALL EQUIPMENT IS SIZED (BY RACK UNITS) ACCORDING TO THE BASIS OF DESIGN MANUFACTURER AND MODEL. THE FINAL LAYOUT AND EQUIPMENT SIZE MAY VARY BASED ON THE FINAL SELECTION OF THE EQUIPMENT. ANY CHANGES TO THE LAYOUT SHOWN ABOVE SHALL BE COORDINATED WITH THE ENGINEER AND OWNER PRIOR TO INSTALLATION. REFER TO THE GENERAL TECHNOLOGY EQUIPMENT SCHEDULE AND SPECIFICATIONS FOR ADDITIONAL INFORMATION.

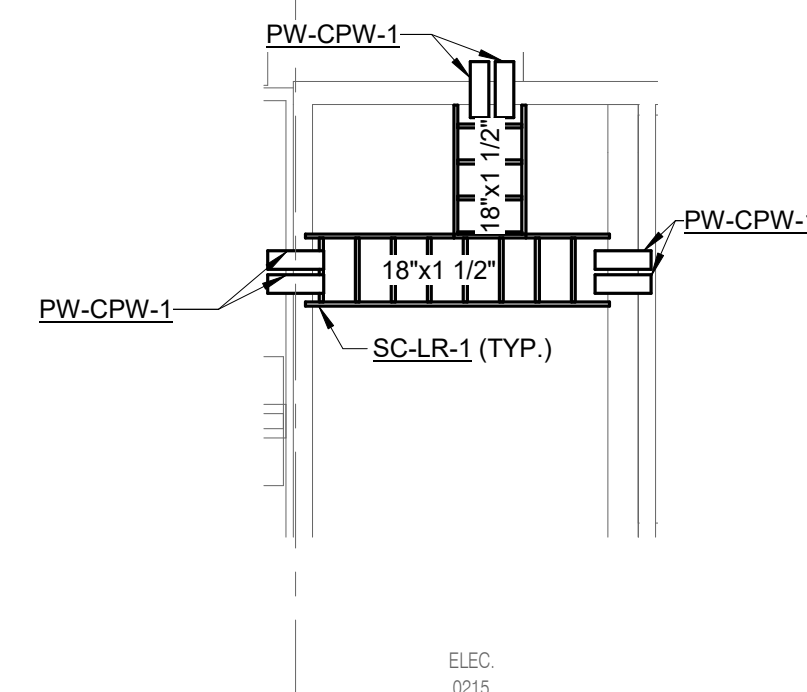
KEYNOTES: (C)

1. ALL EMPTY SPACES ARE FOR OWNER SUPPLIED EQUIPMENT (HUBS, SWITCHES, PATCH PANELS, ETC.) UNLESS OTHERWISE NOTED.



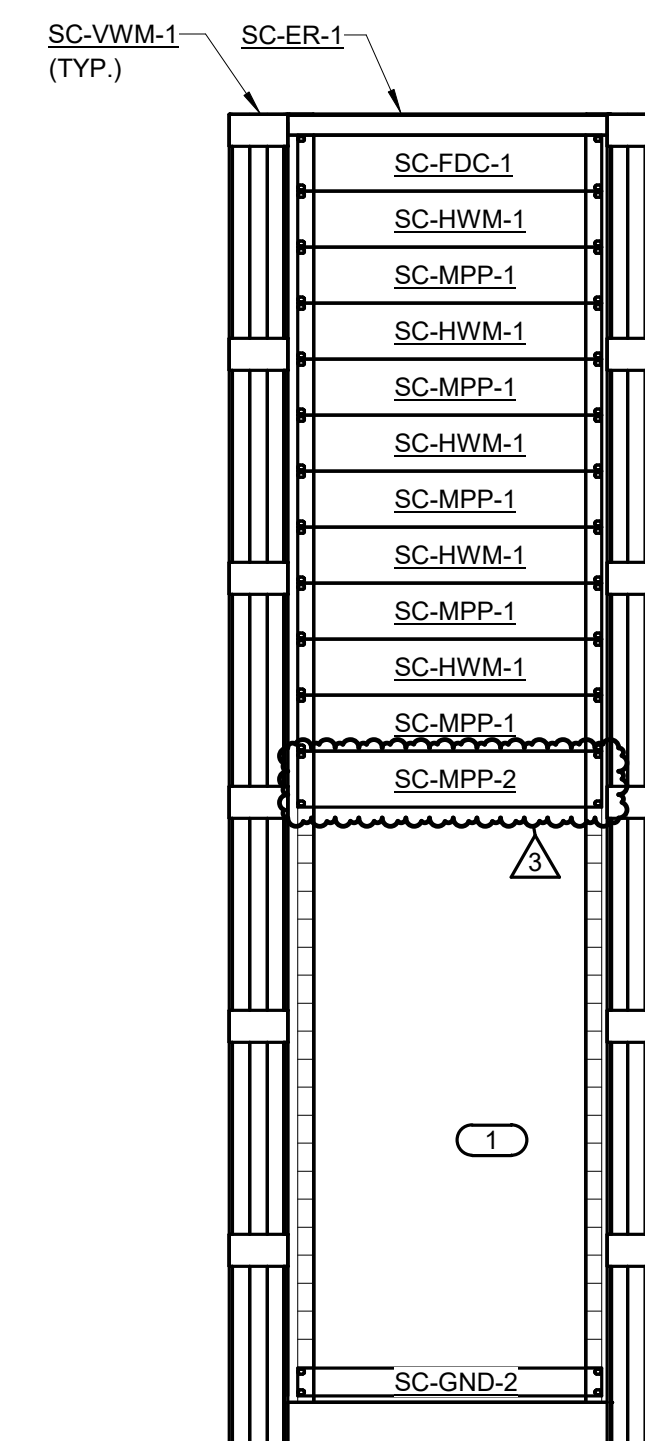
**5 TR-2 TECHNOLOGY ROOM LAYOUT**  
1/4" = 1'-0"

NOTES:  
1. THE FIRE RATED TELEPHONE TERMINAL BOARD (SC-TTB) SHALL COVER ALL THE WALLS IN THE TELECOMMUNICATIONS ROOM AS SHOWN ABOVE. SHOULD THE WALLS REQUIRE TO BE PAINTED, THE PAINT SHALL BE "FIRE SAFE" PAINT. IF PAINTED THE FIRE RATED LABEL ON EACH BOARD SHALL NOT BE PAINTED. REFER TO THE SPECIFICATIONS FOR ADDITIONAL INFORMATION.  
2. REFER TO 6/T300 FOR TR-2 TECHNOLOGY ROOM PATHWAY LAYOUT.  
3. REFER TO 1/T400 FOR THE BONDING BUSBAR DETAIL (SC-GND-1).



**6 TR-2 TECHNOLOGY ROOM PATHWAY LAYOUT**  
1/4" = 1'-0"

NOTES:  
1. MOUNT ALL LADDER RACK 7'-6" ABOVE THE FINISHED FLOOR. REFER TO THE SPECIFICATIONS FOR APPROVED LADDER RACK MANUFACTURERS ADDITIONAL INSTALLATION REQUIREMENTS.  
2. REFER TO THE LADDER RACK MOUNTING DETAIL 3/T400 FOR ADDITIONAL RACK INSTALLATION REQUIREMENTS.  
3. PROVIDE CONDUIT WATERFALL KITS (PANDUIT#CFW400 OR EQUAL) FOR ALL CONDUITS THAT ENTERS THE TELECOM ROOM ABOVE THE LADDER RACK.  
4. PROVIDE A RADIUS CONTROL MODULE FOR ALL FIRE RATED PATHWAYS (PW-CPW-1).



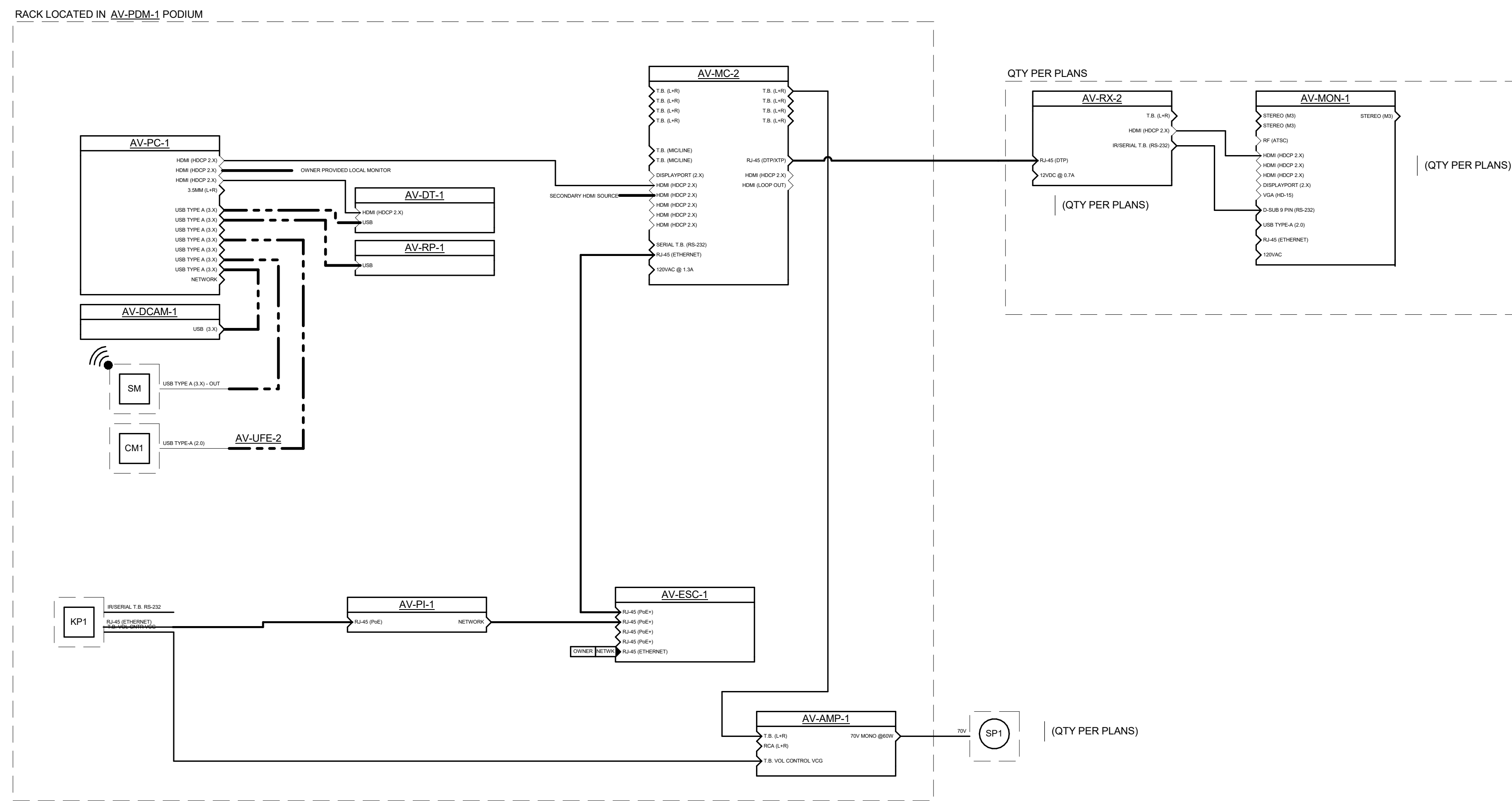
**7 TECHNOLOGY ROOM TR-2 RACK ELEVATION**  
1" = 1'-0"

NOTES:  
1. ALL EQUIPMENT SHALL BE LOCATED IN ITS DESIGNATED SPOT AS DEFINED BY THIS LAYOUT UNLESS OTHERWISE NOTED. ALL EQUIPMENT IS SIZED (BY RACK UNITS) ACCORDING TO THE BASIS OF DESIGN MANUFACTURER AND MODEL. THE FINAL LAYOUT AND EQUIPMENT SIZE MAY VARY BASED ON THE FINAL SELECTION OF THE EQUIPMENT. ANY CHANGES TO THE LAYOUT SHOWN ABOVE SHALL BE COORDINATED WITH THE ENGINEER AND OWNER PRIOR TO INSTALLATION. REFER TO THE GENERAL TECHNOLOGY EQUIPMENT SCHEDULE AND SPECIFICATIONS FOR ADDITIONAL INFORMATION.

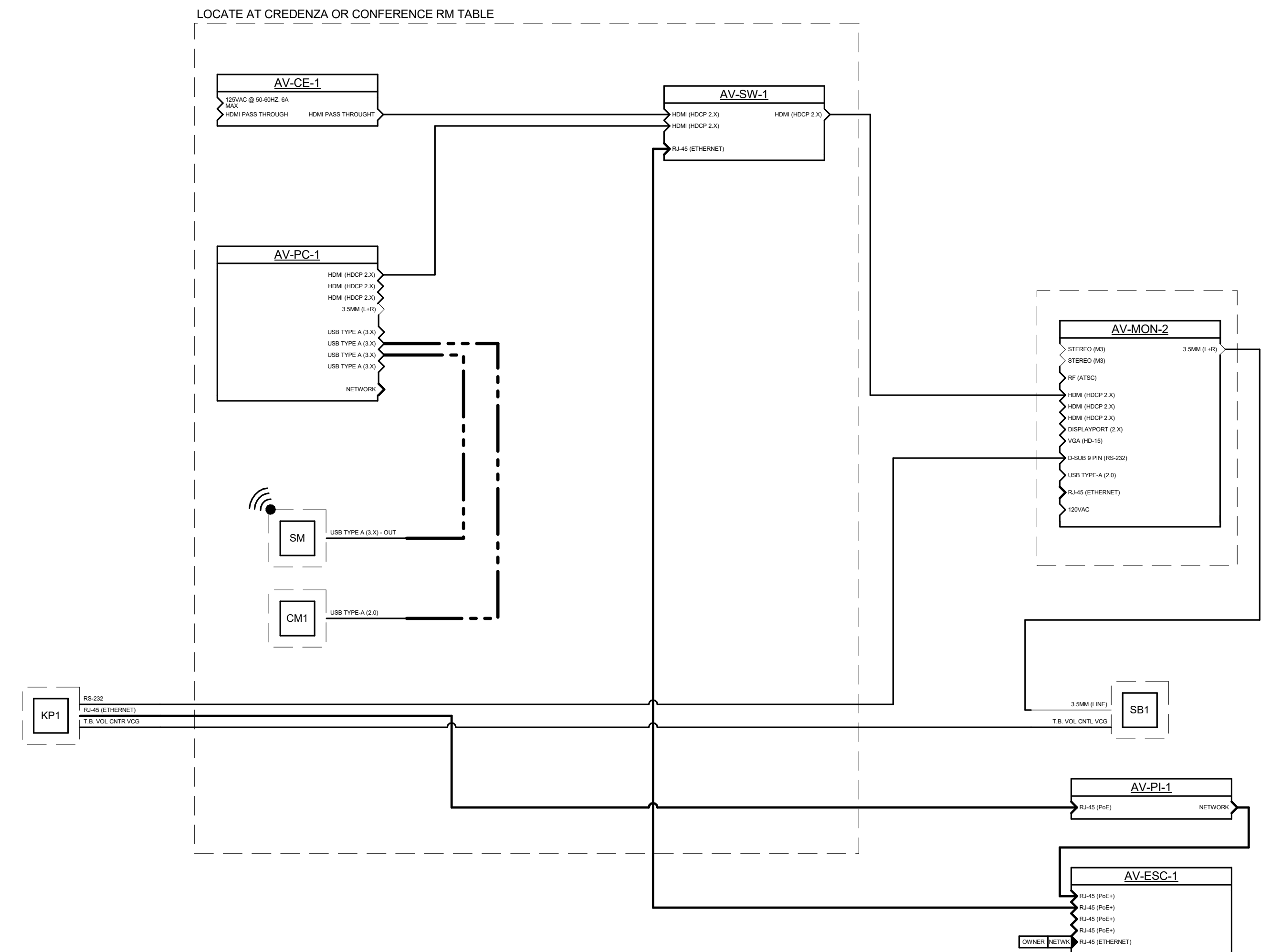
KEYNOTES: (C)

1. ALL EMPTY SPACES ARE FOR OWNER SUPPLIED EQUIPMENT (HUBS, SWITCHES, PATCH PANELS, ETC.) UNLESS OTHERWISE NOTED.

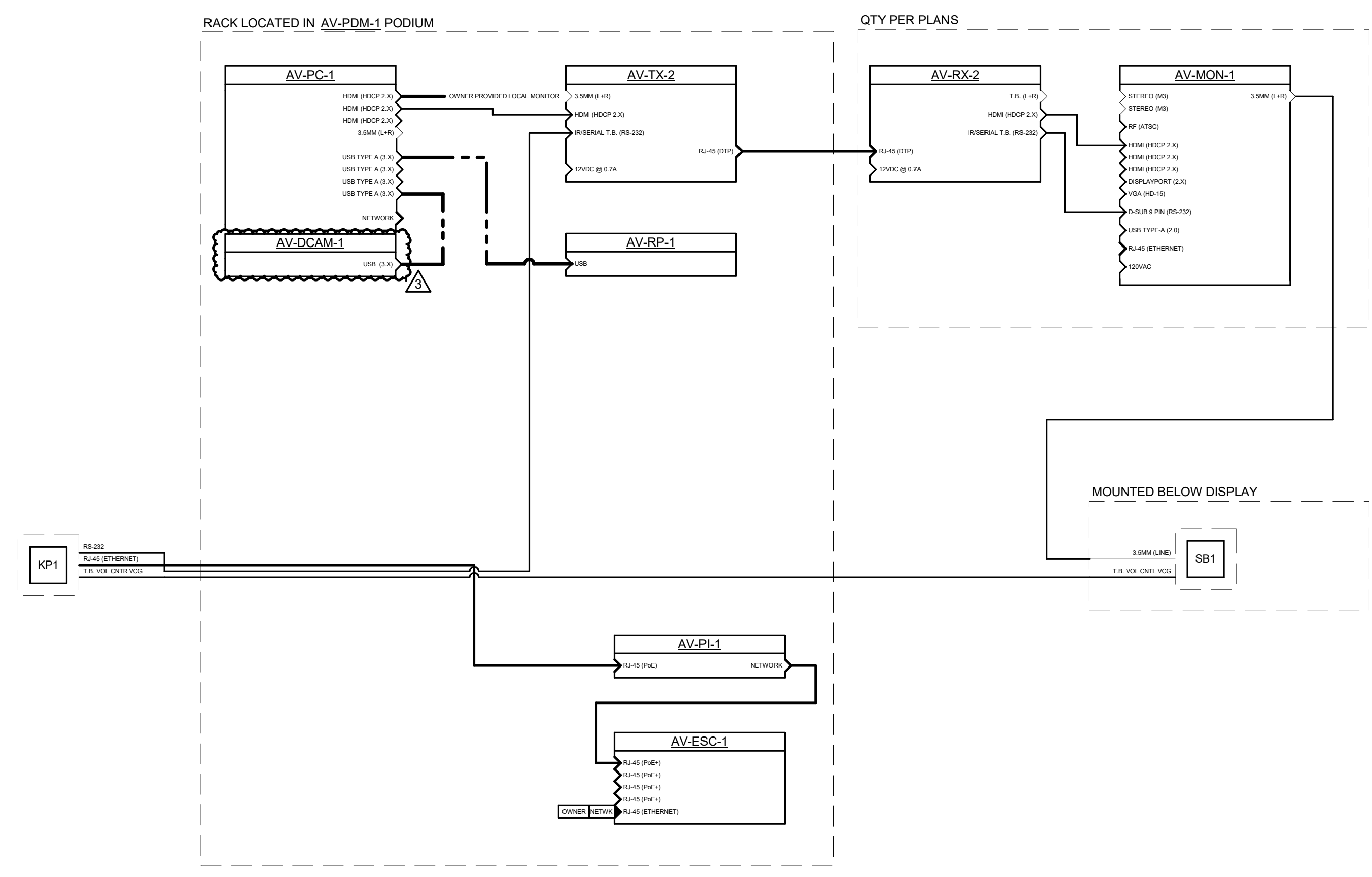
3	ADDENDUM #2	08.01.22
2	ADDENDUM #1	07.27.22
1	BID SET	07.13.22
	NO. DESCRIPTION	DATE



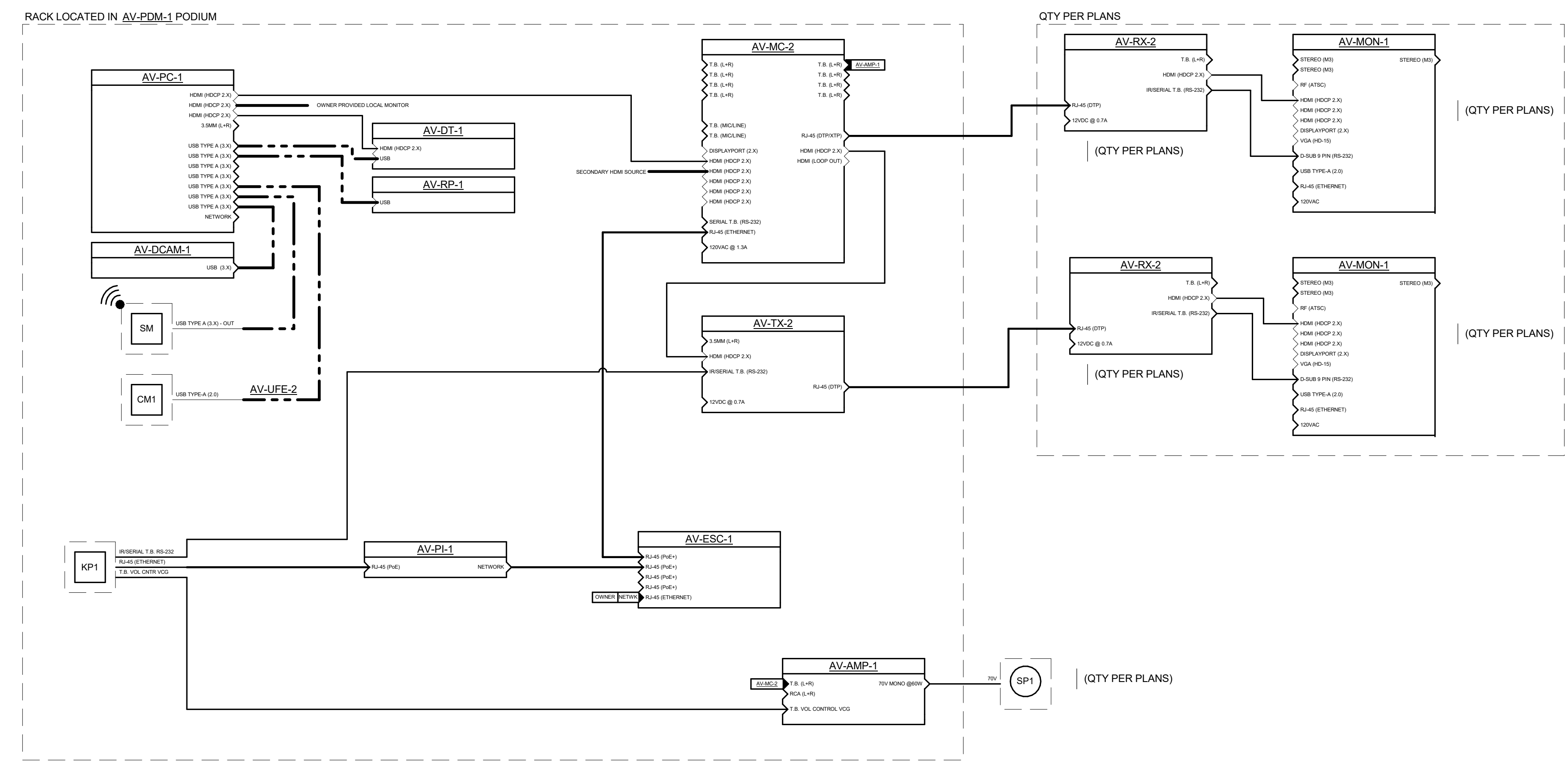
**1 CLASSROOMS 213 AND 214**  
NO SCALE



**2 DEBRIEF 208A, STUDY 210, CONFERENCE ROOM 211**  
NO SCALE



**3 SKILLS LAB 212**  
NO SCALE



**4 SCIENCE LAB 1006**  
NO SCALE

3	ADDENDUM #2	08.01.22
2	ADDENDUM #1	07.27.22
1	BID SET	07.13.22
	NO. DESCRIPTION	DATE

**AUDIO/VIDEO RISER DIAGRAMS**

**IMEG** 623 20TH AVENUE  
QUAD CITIES, IL 5021  
309.786.9973 FAX: 309.786.9987  
www.imegcorp.com PROJECT # 2100283.10

IMEG CORP RESERVES PROPRIETARY RIGHTS, INCLUDING COPYRIGHTS, TO THIS DRAWING AND THE DATA SHOWN THEREON. SAID DRAWING AND/OR DATA ARE THE EXCLUSIVE PROPERTY OF IMEG CORP AND SHALL NOT BE USED OR REPRODUCED FOR ANY OTHER PROJECT WITHOUT THE EXPRESS WRITTEN APPROVAL AND PARTICIPATION OF IMEG CORP. © 2022 IMEG CORP.

REFERENCE SCALE IN INCHES  
0 1 2 3

PROJECT: 21002283.01

**T501**

